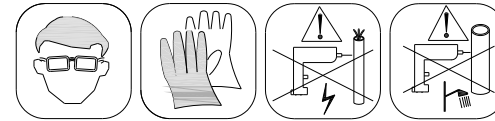
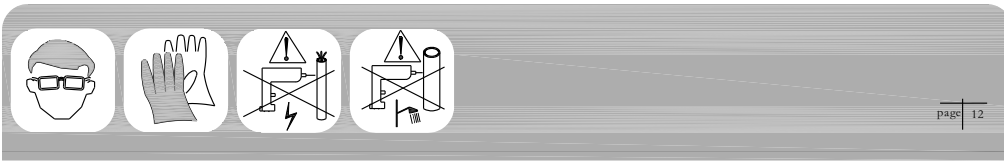


INSTRUCTION

SHOWER SOPHIE 90 INSTRUCTION



CARE INSTRUCTIONS

Shower enclosures should be cleaned after every use. To prevent limescale from building up, use a squeegee, a soft cloth or chamois leather-but no cleaning-to wipe off any water droplets left after showering. Residue left by bodycare products (liquid soap, shampoo, shower gel) can also cause substances to accumulate. Use water to rinse away residues after use. All sliding door track fittings should also be cleaned this way-to ensure that they continue run smoothly.

- **Don't allow limescale to build up-especially in hard water areas**
- **If you do get a stubborn limescale build up, a mixture of 50:50 vinegar and water will help you to clean it away-but make sure all vinegar is rinsed off completely**
Never use strong detergents or cleaning agents
Cleaning materials should wherever possible be rated between PH4 and PH8
In no circumstances should you use any abrasive substance

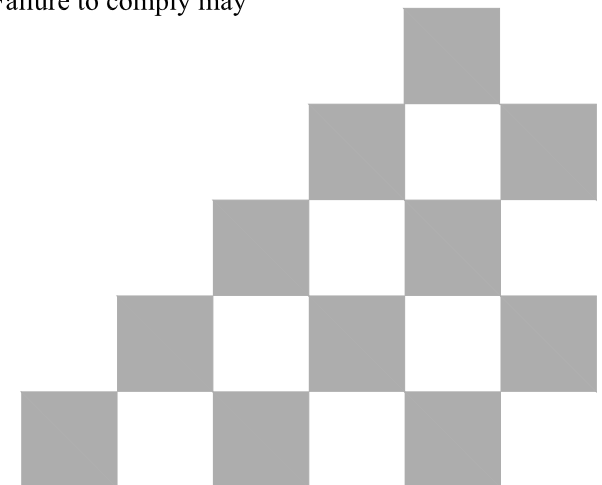


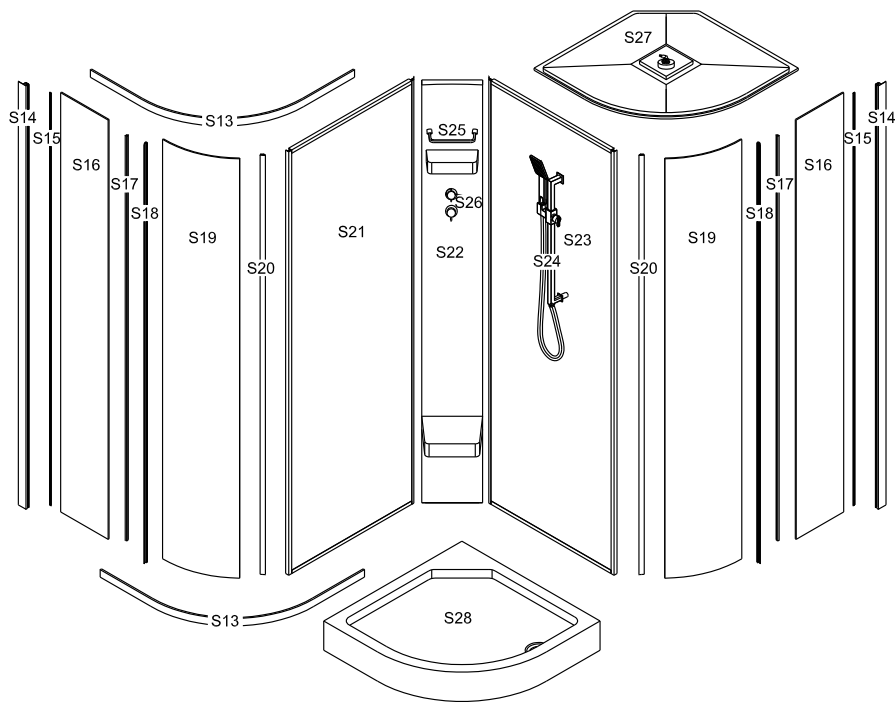
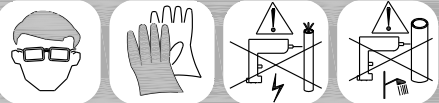
We appreciate your choosing of our shower products, and wish you a pleasant experience with our products and service. Please read Instruction carefully before installation.

IMPORTANT

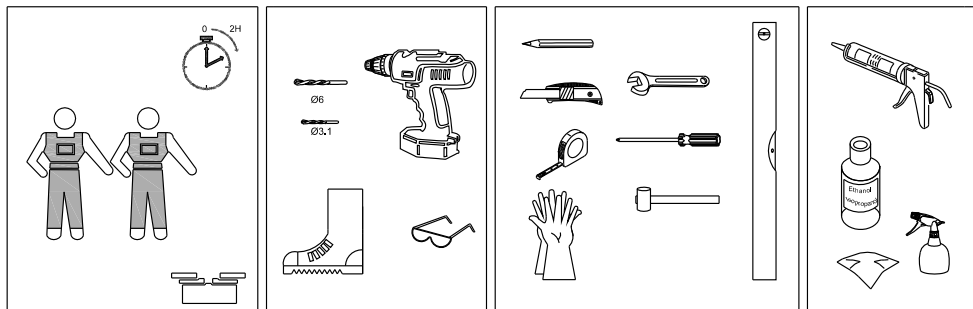
Please check the shower enclosure for transport damage and completeness before installation. Complaints made following installation cannot be accepted.

Please read carefully the following instructions before installing your shower enclosure to ensure safe and proper use and avoid any injury to either the installer or user. Failure to comply may invalidate your guarantee.





S09 ST4 12 10x	S10 M4 12 46x 24x 25x 46x 24x	S11 ST4 16 4x
S01 4x	S02 4x	S03 ST4 4x 4x 8x
S04 ST4 4x	S05 2x	S06 2x 1x
S07 2x 2x	S08 ST4 8x	



5. FM Digital Radio

5.1 FM Radio: The frequency range is 87—108MHz.

5.2 When system is on, touch “FM” button to open the radio, the speaker makes a sound and the sign of “FM” and current frequency display on the LCD. Touch “FM” button again to close the radio, the corresponding sign disappears.

5.3 When radio is on, touch “TUNE+” button, the current radio frequency increased by 100KHz, if touching this button over 1 second, the system searches the FM channels automatically and DPLL auto locks the channels, LCD displays the radio frequency.

When frequency up to 108.0MHz, touch “TUNE-” button, the frequency jumps down to 87.5MHz.

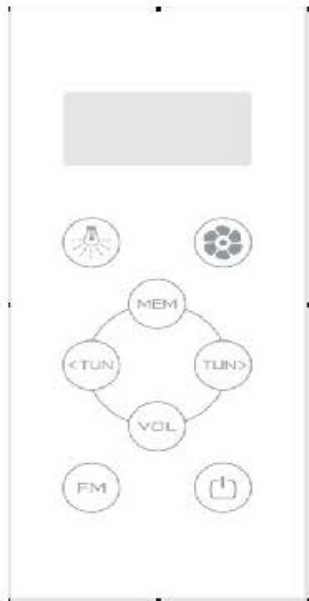
5.5 When the radio is on, touch “VOL” button to adjust the volume, the sign of “VOL” and current volume flash on the LCD, then touch “TUNE+” or “TUNE-” button to increase or decrease the volume, the range is 0-10.

5.6 Store channels and read channels.

5.6.1 Store channels: When the channel needed to store is chosen, touch “MEM” button for 2 seconds, the “CH” sign and the storage position are displayed on the LCD, short touch on “MEM” button to choose the storage position (0-18 position), then press “MEM” button for 2 seconds to store the current channel to the storage position, LCD backs to display the current frequency.

5.6.2 Read channels: When radio is on, short press on “MEM” button to read the channels, LCD displays the “CH” sign and the storage position, 1 second later, LCD backs to display the current frequency. User can repeat above operations to read the channels which are stored in 0-18 positions.

2、 Keyboard Diagram and Operations:



Keyboard contains 8 buttons, functions are as follows:


-  Light button
-  Fan button
-  Store Channel button
-  Parameter adjust button
-  Parameter adjust button
-  Volume button
-  Radio button
-  Power On/off

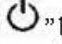
3、 Operation Instruction:

1. Lock:


When system is on, without any operation in 3 minutes, the keyboard will be locked automatically and the corresponding sign flashes on LED. Press any button for 3 seconds to unlock the keyboard, and the sign disappears.


2. Power On/Off:

When power on, touch “” button to start the system, ceiling light is on.


Touch “” button again, the system is off, together with other functions.

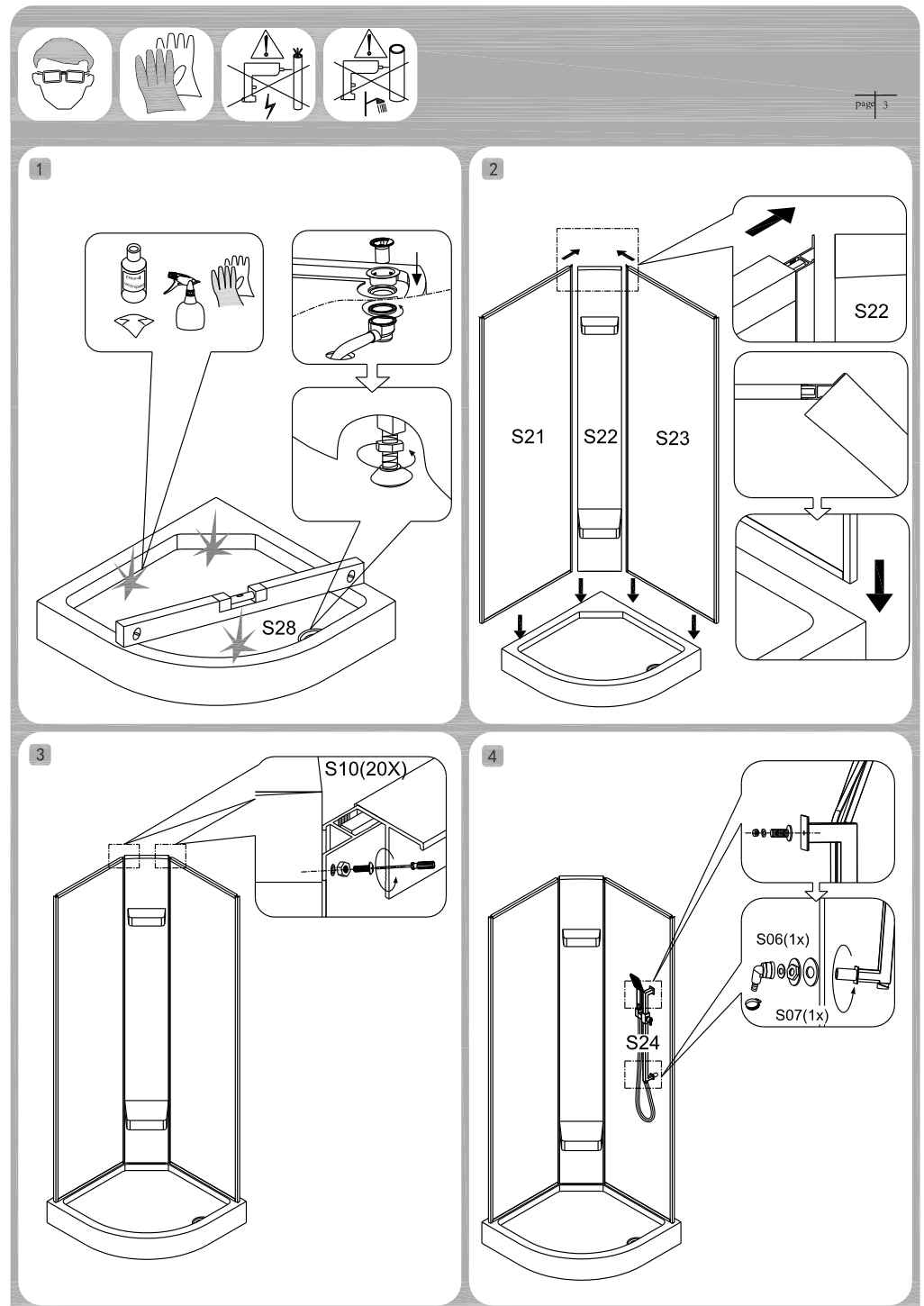
3、 Fan Function:

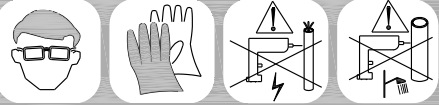
When system is on, touch “” button to start the fan, the fan sign flashes on the

LCD; Touch “” button again to turn off the fan, and the fan sign disappears.

4. Light Function:

When system is on, the ceiling light is on; touch “” button to turn off the ceiling light; touch again to turn on it. When light is on, the corresponding light sign flashes on the LCD.





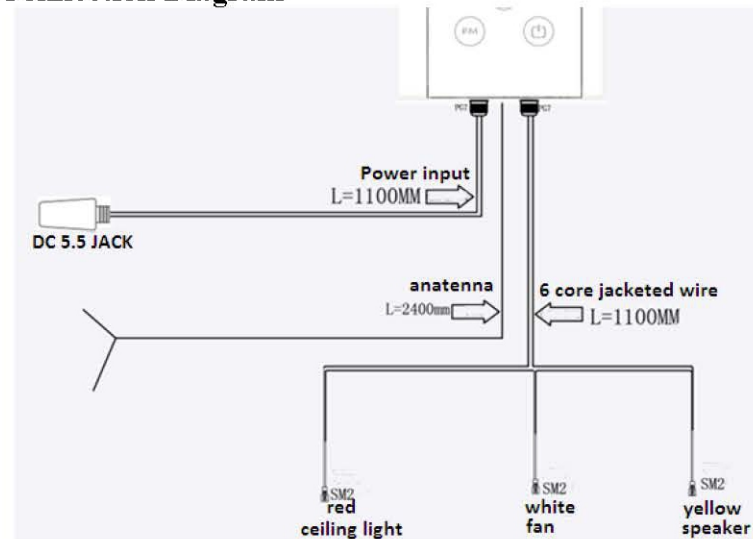
LYMB-MHN-03 Introduction Manual

ONE. Working Conditions

Working Conditions and Features				
Rated Voltage	AC220V	Rated Frequency	50/60Hz	
Rated Current	<1.5A	Rated Power	<18W	
Insulance		Waterproof Level	IPX5	
Load Configuration Parameter				
Load	Rated Voltage	Rated Frequency	Rated Power	Others
Light	DC12V		5W	
Fan	DC12V		3W	
Speaker			3W	

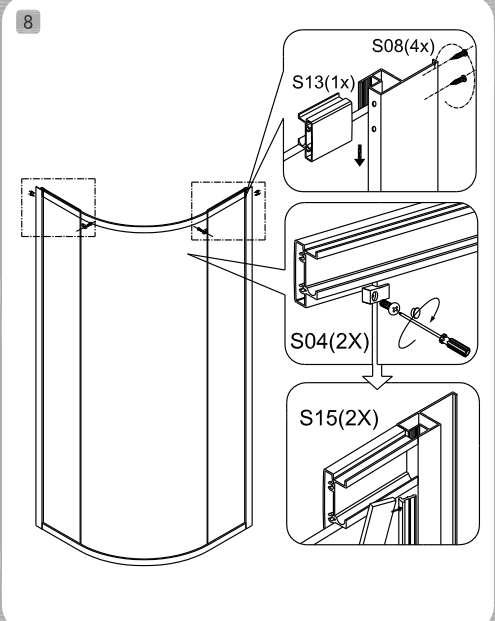
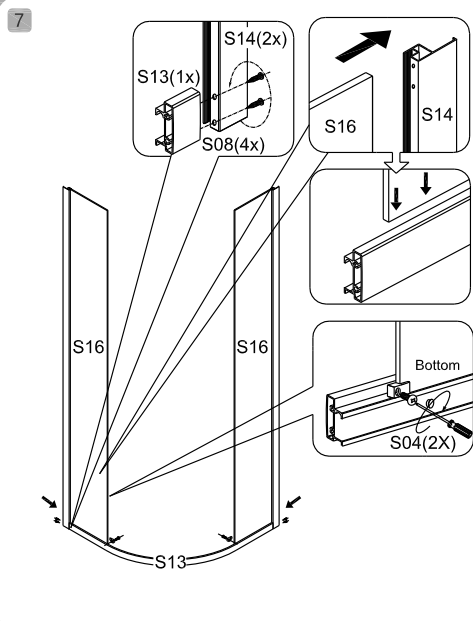
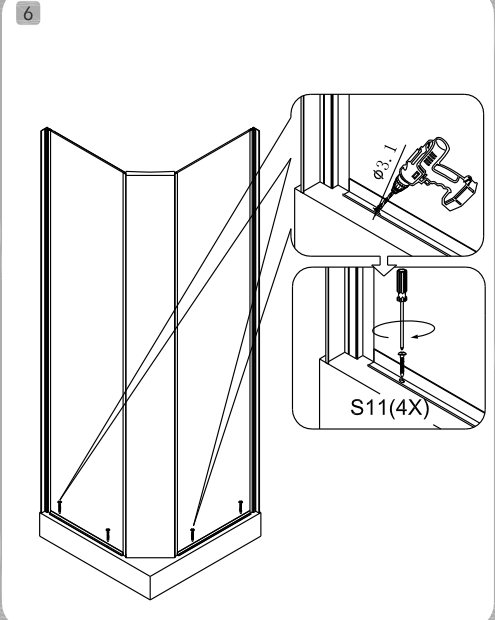
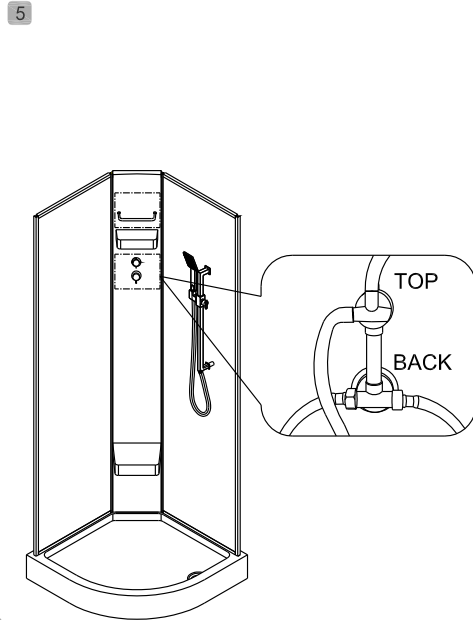
TWO. Product Functions and Descriptions

1. Connection Diagram

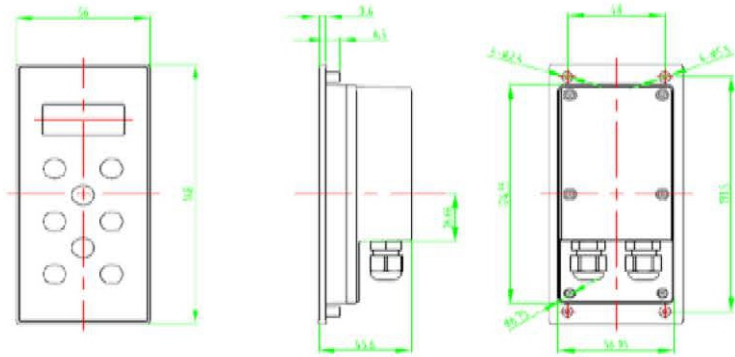


This product has below functions:

- 1) **Display:** LCD displays the working condition of fan, light and volume.
- 2) **FM Radio:** The frequency range is 87—108MHz;
- 3) users can search channels manually or automatically,
- 4) adjust the volume, and store channels



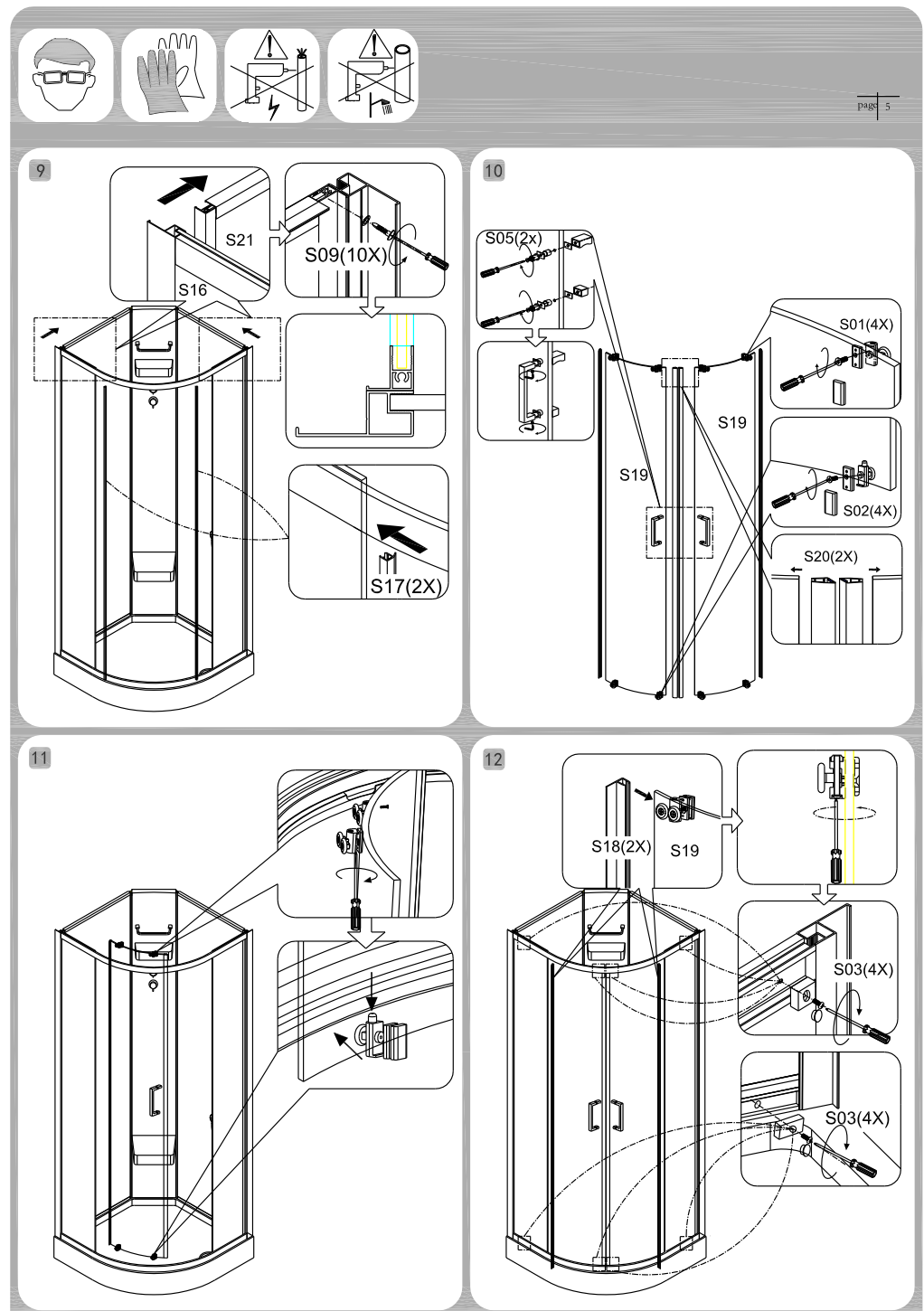
THREE. Structure Dimension Installation of Keyboard

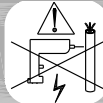


FOUR. Malfunction Analysis:

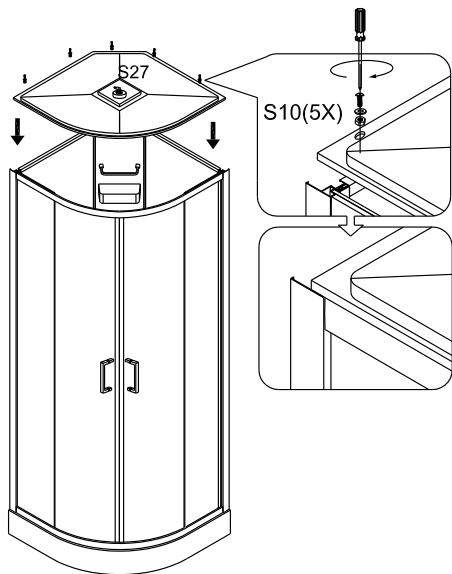
Malfunctions Type	Analysis (Solutions)
Can't turn on the system, no display on the screen.	<ol style="list-style-type: none"> 1. No power connection (Power on) 2. To check if the panel is installed properly. 3. Control Panel is broken.(Replace it)
Light doesn't work	<ol style="list-style-type: none"> 1. The output line is in open circuit. (Tighten it) 2. The output line is in short circuit.(Remove it) 3. The light is broken (Replace it)
Fan doesn't work	<ol style="list-style-type: none"> 1. The output line is in open circuit. (Tighten it) 2. The output line is in short circuit.(Remove it) 3. The fan is broken (Replace it)
Too much noise, less Receipt Channels	<ol style="list-style-type: none"> 1. The Antenna is not in a good position. (Put it on the best position) 2. Electric box is broken. (Replace it)

Remark: During the operation, if any abnormal malfunctions happen, please ask qualified technician to refer following analysis to remove malfunctions





13



14

