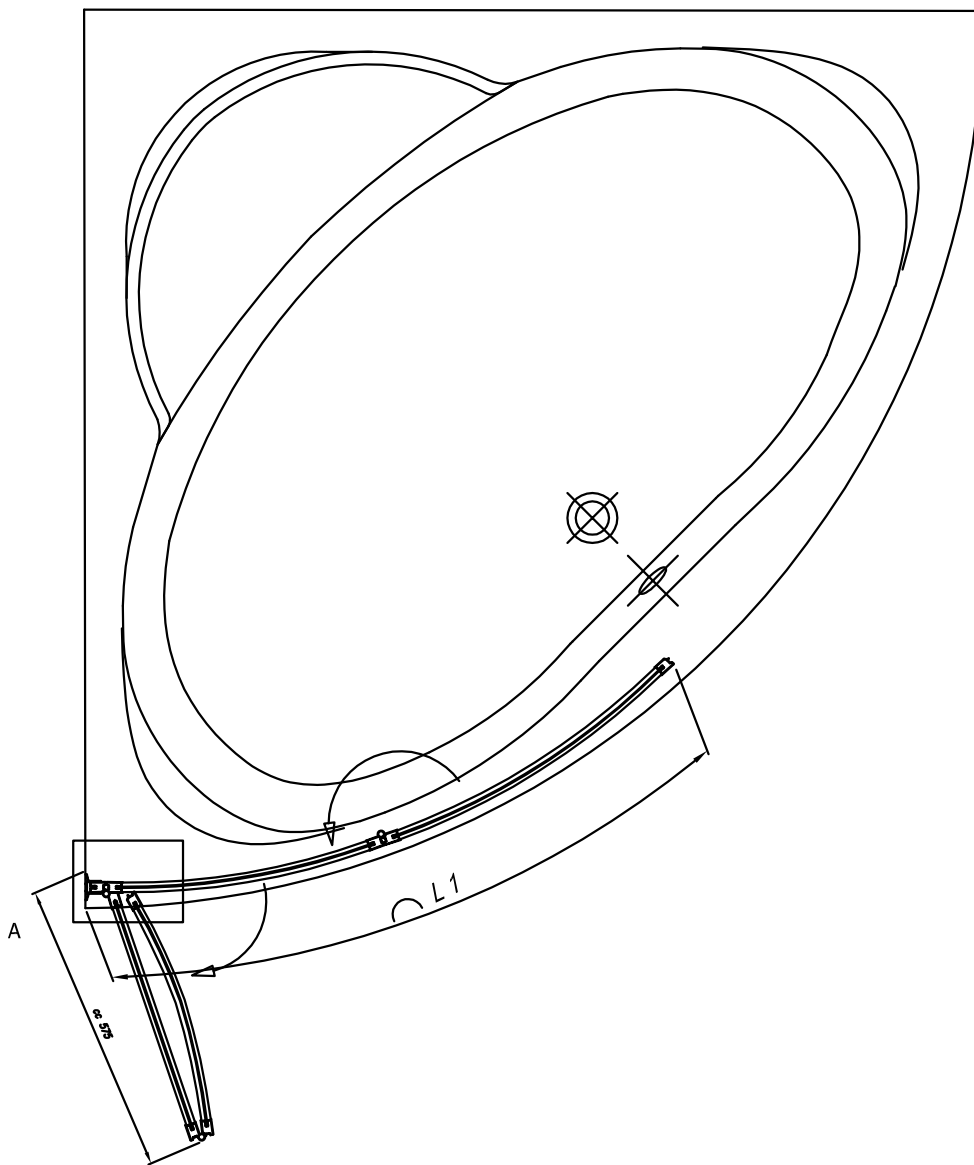


kolpa·san *SHOWER SCREEN QUAT*
DUSCHTRENNWAND QUAT

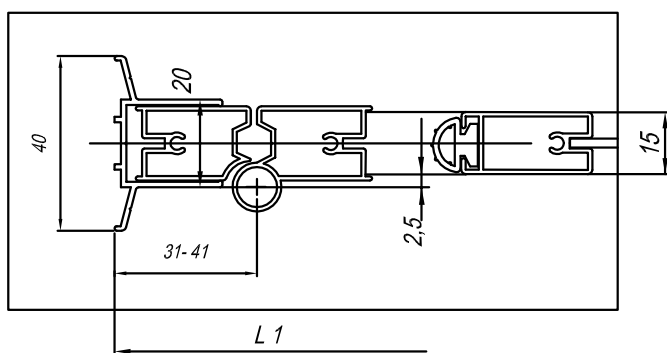
Nr.KA 51

TP 105 UNI 1/2

| | |
|--------|-----------|
| | L1 (mm) |
| TP 105 | 1040-1050 |



A



kolpa·san *SHOWER SCREEN QUAT*
by NOLPA *DUSCHTRENNWAND QUAT*

Nr.KA 51

TP 105 UNI 2/2

