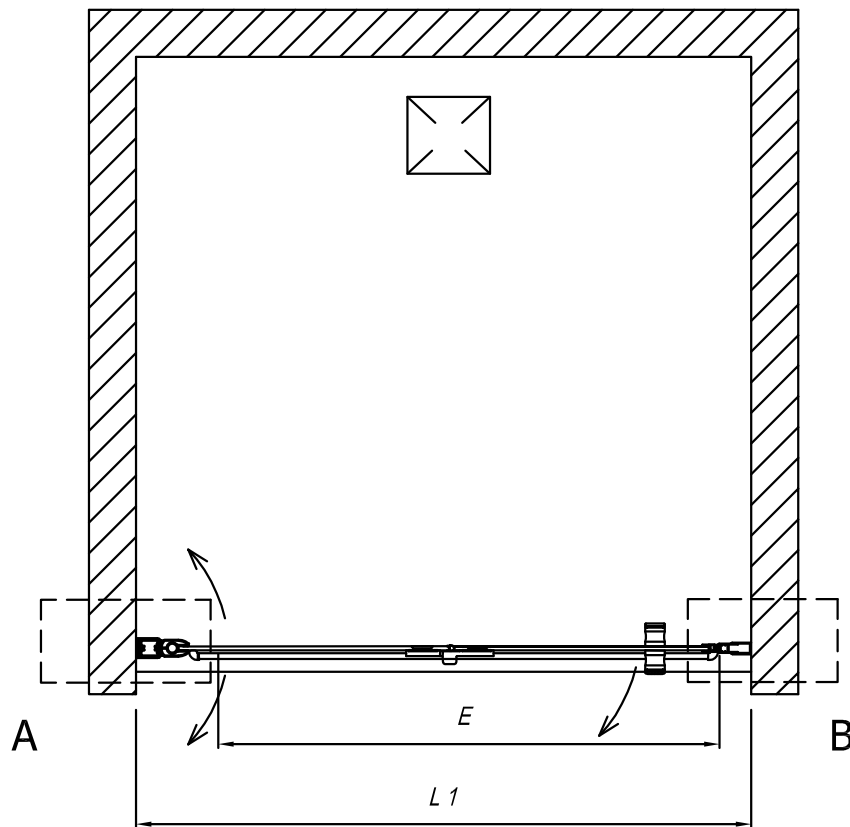


	L 1 (mm)	E (mm)	F (mm)
TV/S 80	780-800	650	407-417
TV/S 90	880-900	750	457-467
TV/S 100	980-1000	850	507-517



A

B

