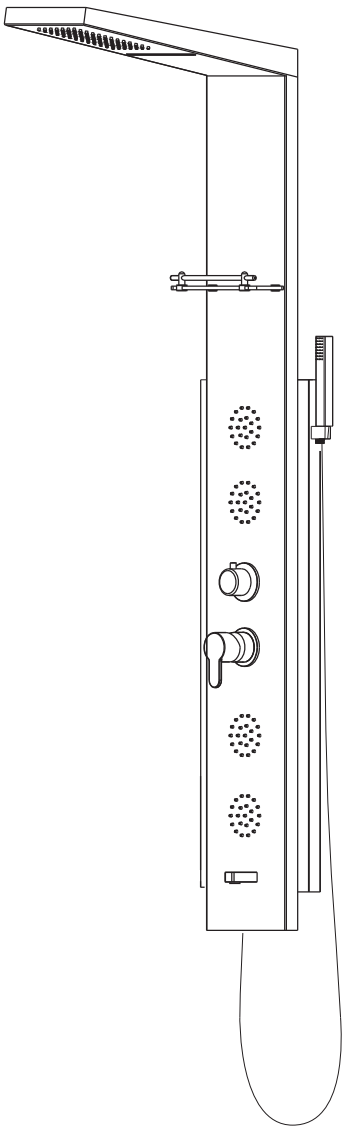


# Shower panel Installation Instruction

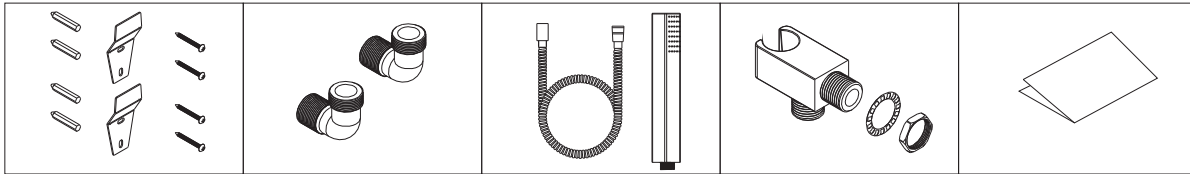
MR-7100



# Installation condition

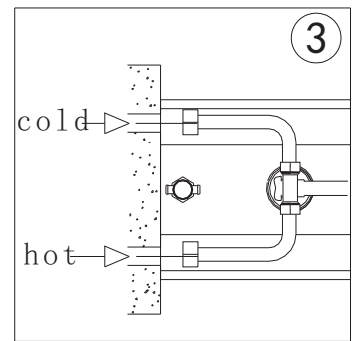
---

1. Refer to the standard part list when you open package, check all parts available.

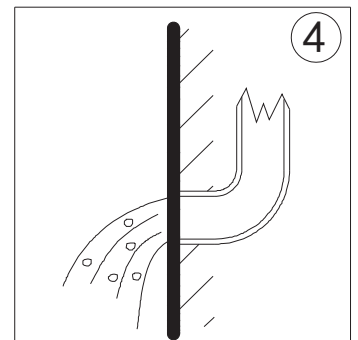


2. Determine products applicability and functionality in relation to mounting surface.

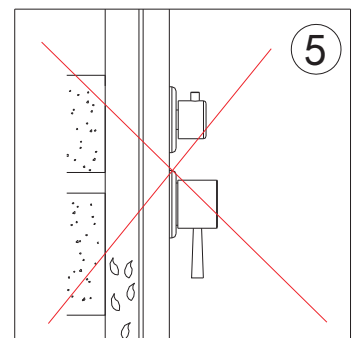
3. Determine position where hot pipe and cold pipe will be fitted, Left for hot water and right for cold water supply.



4. Determine inlet pipes and supply stopper have been installed and cleaned also ensure no impurities in pipeline.



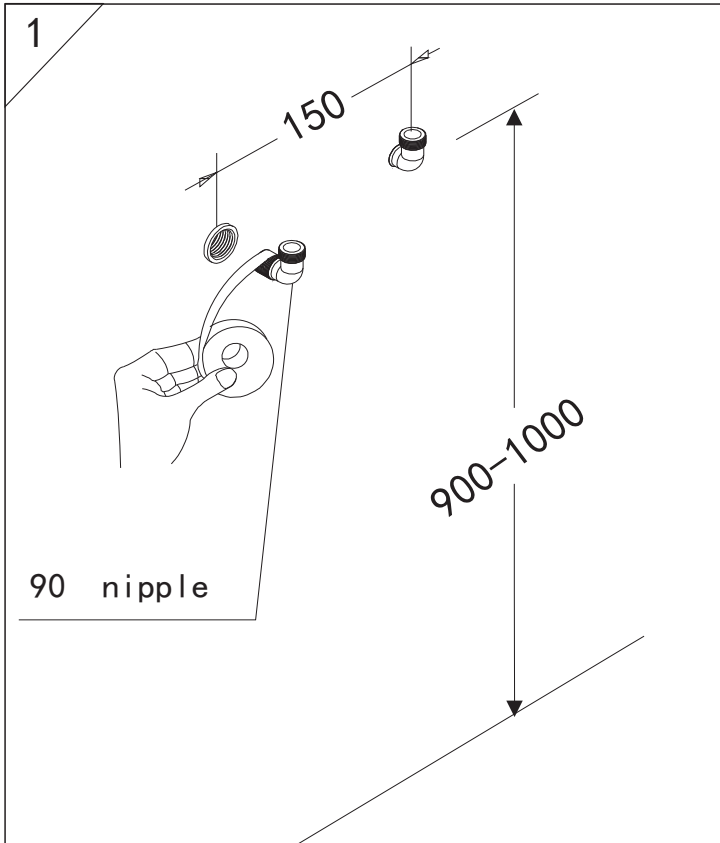
5. When finished installation, check all joints and connections for leaks



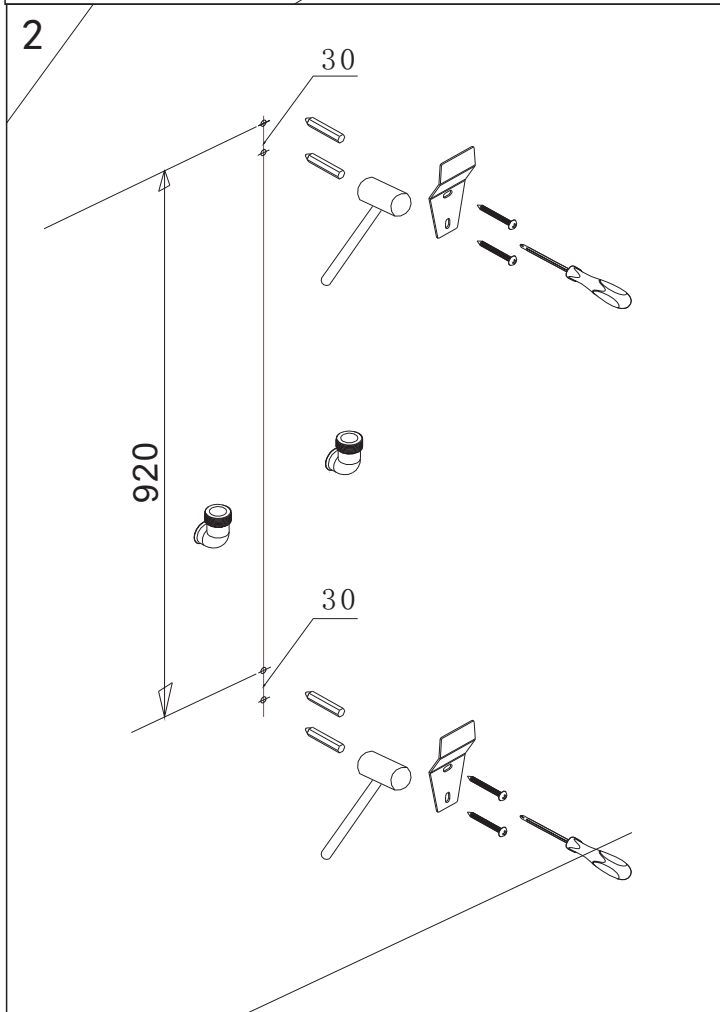
6. The interior structure of the faucet contains non temperature resisting elements e.g. colloidal silica, so don't use the faucet in high-temperature environment or in 90 °C water condition for long.

7. Water pressure shall be:  $0.05 \leq \text{Water pressure} \leq 0.75 \text{Mpa}$

## Installation step

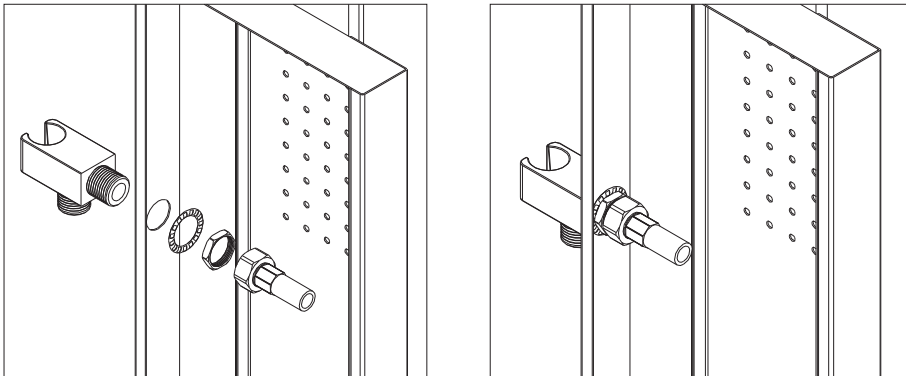


1. Apply pipe sealant to treads of 90 nipples; connect eccentric onto inlet pipes. (The measurement between two water supply is 150mm, from floor surface to water outlet is about 900-1000mm)



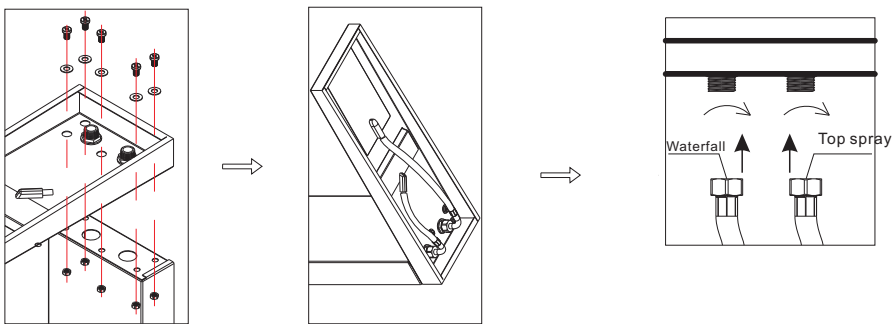
2. Refer to essential dimension for connect measurement. Drill a hole in the wall and into the tapping of rubber and the fixed seat lock self-tapping screws on the wall.

3

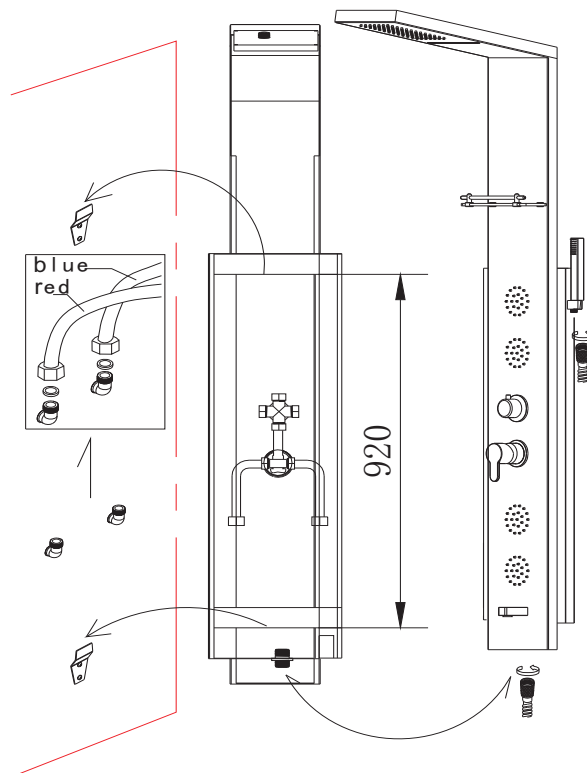


3. According to the order of the figure indicates the hanging seat assembly onto the shower panel

4



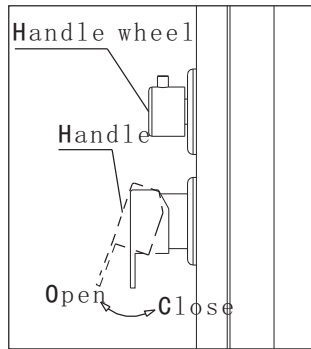
5



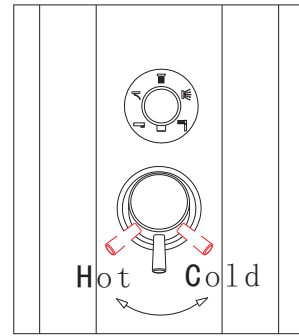
4. Connect cold and hot pipe to eccentric nipples onto inlepipes, then hand the shower panel to decarative cover and push down. at last connect shower hose with the shower panel boby and hand shower.

## Application instruction

1. Handle turn out as open. the angle is bigger the flux is bigger . contrariwise the angle is smaller the flux is smaller until closure. (as the picture A).



(A)

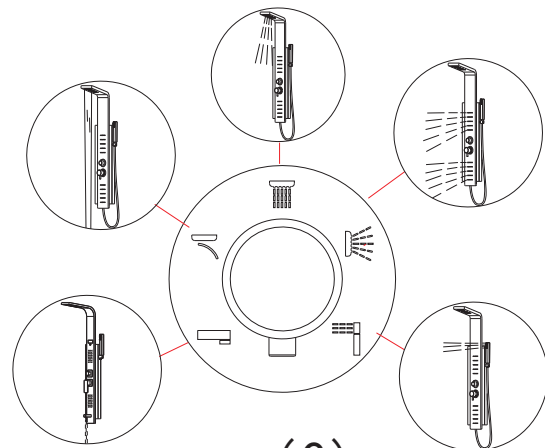


(B)

When the handle turn out and revolve left the hot water supply is increase. Revolve right , the cold water supply is increase. (as the picture B)

2. The shower panel has five kinds of water spraying function. you can by rotating the handle wheel to switch different water spraying function when the handle is turn on.

The indicator button to the icon for the standare. (as the picture C)



(C)

## Care and Maintenance

---

- The body of the shower panel is made of stainless steel. The surface should keep dry is not easy to rust, so user need to use soft cotton to wipe after using.
- Avoid using cleaning power, harsh cleaning chemicals, brushes and cloth with coards surface to prevent scratching and corrosion.
- Do not use acidic cleaning agents for washing the shower panel as it may cause corrosion on the surface fo shower panel. Rinse off with water immediately if the faucet in contact with harmful acidic agents.
- The colorless glass cleaner, does not have the powdery cleanser which the abrasive action and can dissolve completely (according to instruction mix)
- Polish liquid which does not abrasive action

