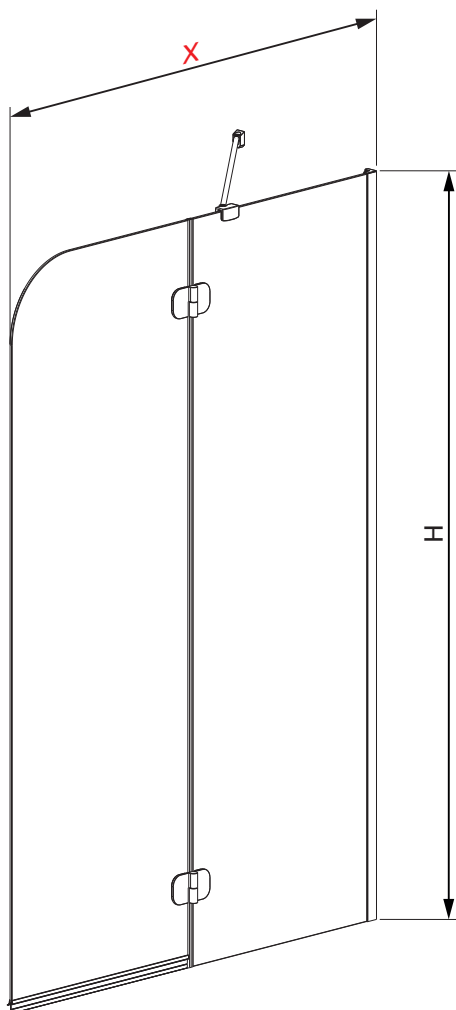
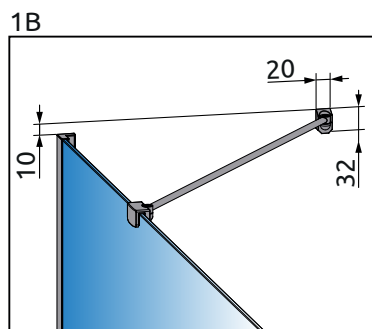
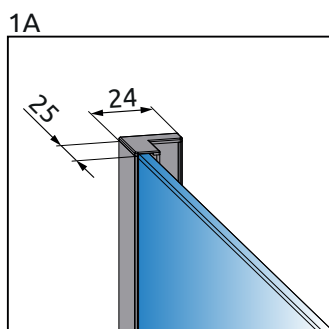


Wariant LEWY  
Variant L



Wariant PRAWY  
Variant R



Model	X	B	C	H
PND II 100	995-1010	496	516-531	1500
PND II 120	1195-1210	496	716-731	1500

